

# SBS2

19 mm, recessed. Developed to provide optimal performance for users in the toughest conditions.

SBS2 is a fully customizable non-illuminated touch metal piezo switch. There are no moving mechanical components in the product, and it is fully shock- and waterproof. These parameters allow the SBS2 to be used in different applications, including outdoor, defence, marine, and more.

## Key Characteristics:

- Aviation Grade Aluminum or Stainless Steel 303 standard (304, 316 optional)
- Anodized Aluminum in silver, black, red, green, blue or gold finishes
- Laser Engraving or Anodized printing optional



## Electrical Data

Switch Function	N.O. Momentary (N.C. optional) Prolonged, Toggle (On/Off), Continuous as well as Programmable, Timer, Slide, Self Diagnostic, and WiFi Enabled optional
Switch Voltage	0-24 AC/DC
Switch Current	0.2 A standard (up to 1 Amp optional)
Rated Breaking Capacity	Power Dissipation < 5 Watt
Operating Cycles	> 50,000,000
Switch Resistance OFF	> 20M Ohm
Switch Resistance ON	< 5 Ohm
Switch Capacitance	10 pF
Switch On Duration	Up to 20 sec
Contact Configuration	Free Polarity

## Mechanical Data

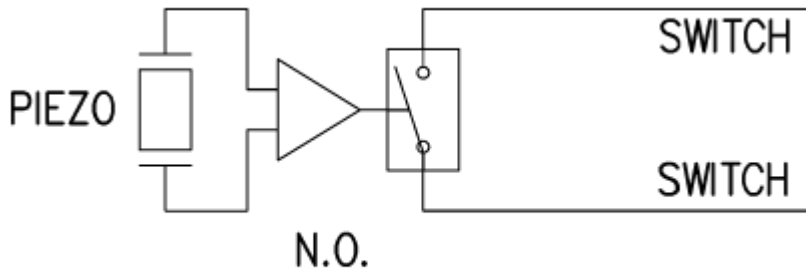
Housing Materials	Aluminum 6061 T651, Stainless Steel (Type 303, 304 or 316) or Plastic
Actuating Force	2-5 Newtons
Non-Illuminated	Polycarbonate
Connection	22 AWG standard, (pin, tab or terminal blocks optional)
Shock Protection	IK 10
Fastening Torque	2.5 Nm

## Environmental Data

Operating Temperature	-20°C to +75°C
Storage Temperature	-40°C to +125°C
IP Protection	IP69 K

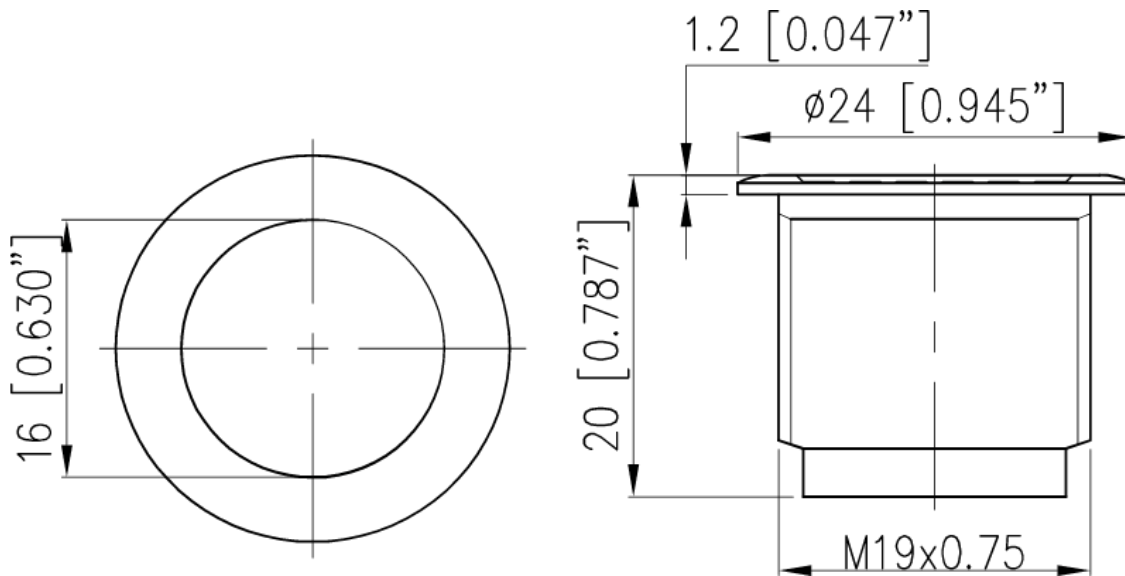
## Electrical Diagram

---



## Technical Drawing

---



\*The specifications, descriptions and illustrations indicated in this document are based on current information. All content is subject to modifications and amendments. Users should evaluate the suitability and test each product selected for their own applications.