



Boat Guard Dual 2X10A Relay

An End to Boat Switch Problems

Barantech's Boat Guard Dual Relay: the answer to boat switch problems. This ring illuminated piezo touch switch retrofits 22mm pushbutton switches with ease, featuring interchangeable relay modules for maximum flexibility. The NAV/ANC (Navigation/Anchor) functionality of this switch consolidates the controls for both the navigation lights and the anchor light in one convenient switch.

Key Characteristics

- **Streamline light control:** Effortlessly manage NAV/ANC lights based on vessel status (underway or at anchor).
- **Unmatched Durability:** Stainless steel or anodized aluminum housing options for an ultra-rugged design.
- **Seamless Installation:** Snap-on relay module for quick and easy setup, saving you valuable time.
- **Vivid Illumination:** Tri-color RGB ring illumination for easy control and captivating visual appearance.
- **Reliable and Sealed:** No moving parts, completely sealed against the elements.
- **Enhanced Touch Activation:** Operate by hand, gloves or tools with touch-activated functionality.
- **Built for the Elements:** Unaffected by water, salt accumulation, UV rays, ice, humidity, extreme temperatures as well as shocks and vibrations.

Electrical Data

Switch Function	According to Logic Table (NAV/ANC)
Switch Voltage	9-13V DC
Relay Voltage/Current	14V DC@10A, free polarity
RGB LEDs Current Consumption	12V@30mA

Mechanical Data

Housing Materials	Stainless Steel or Aluminum
Relay Box Materials	Polycarbonate
Actuation Force	3-5 N
Connection	See Electrical Connection

Environmental Data

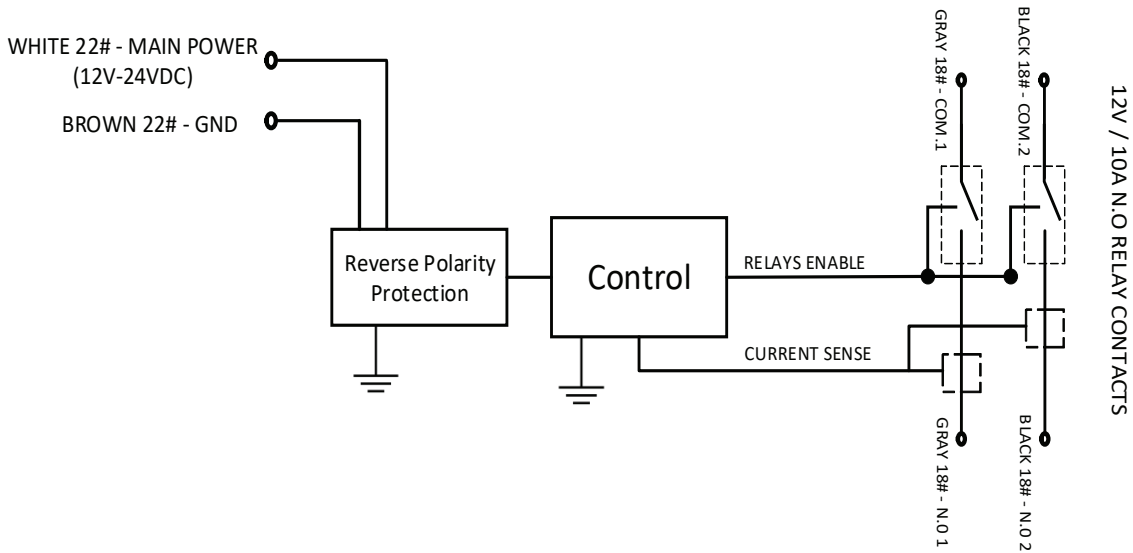
Operating Temperature	-20°C to +75°C
Storage Temperature	-40°C to +85°C
IP Protection	Front switch side - IP68

Logic Table (NAV/ANC)

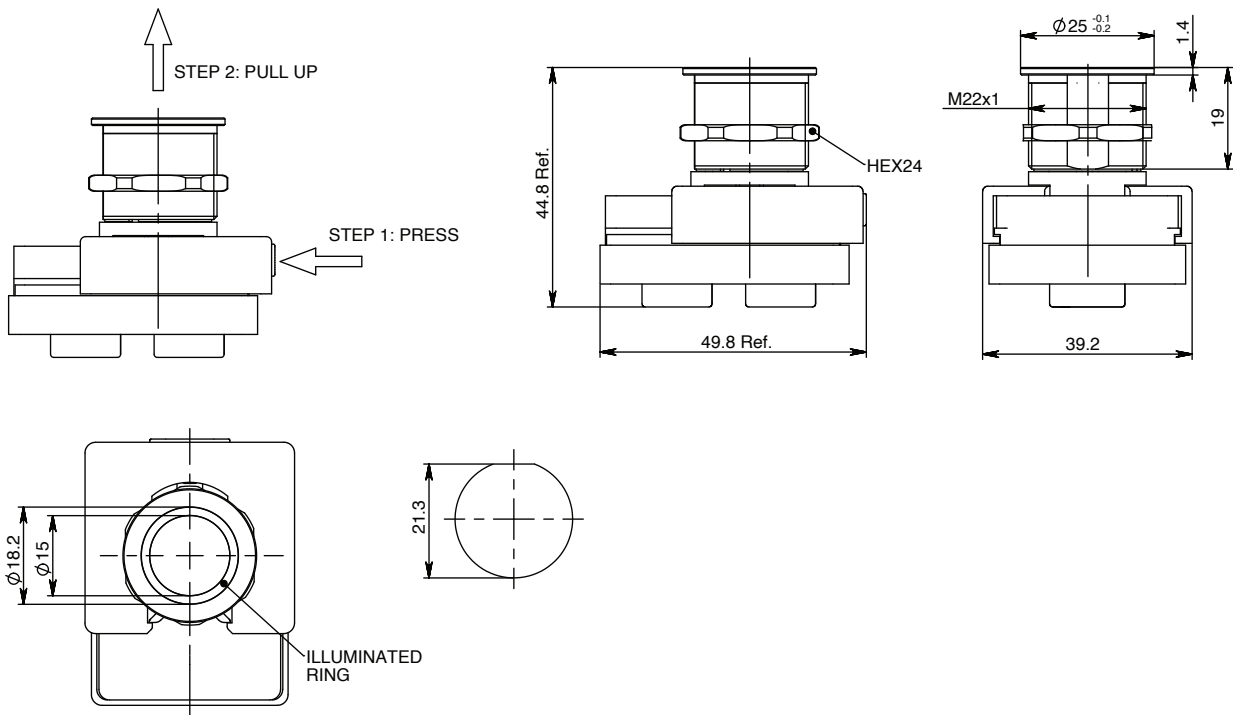
Press #	RELAY 1 STATUS	RELAY 2 STATUS	LED RING COLOR (Configurable)
First Press	ON	ON	BLUE
Second Press	OFF	ON	RED
Third Press	OFF	OFF	NONE



Electrical Connection



Mechanical Drawing



*The specifications, descriptions and illustrations indicated in this document are based on current information. All content is subject to modifications and amendments. Users should evaluate the suitability and test each product selected for their own applications.