



Cruzo (2x7)

Where Elegance Meets Superior Functionality

This groundbreaking glass control panel, powered by advanced piezo touch technology, redefines the helm of any yacht, introducing a modern look and feel while providing outstanding functionality, durability, and style, combined with a range of stylish options, including a sleek glass front and customizable backlighting in different colors, Cruzo sets a new standard in marine control systems.

Key Characteristics

- **Nautical Elegance:** blending striking piezo touch technology with an elegant glass front to create a control panel that is both visually striking and highly efficient.
- **Tempered Glass Durability:** Providing exceptional durability, resistance against scratches, impact, and UV radiation.
- **Enhanced Touch Activation:** Effortlessly operate the panel with your bare hands or while wearing gloves, ensuring smooth and hassle-free control in any situation.
- **Versatile Switching Functions:** With momentary, toggle, timer and continuous switching functions, delivering versatility and adaptability.
- **Adjustable Illumination and Colors:** Adjustable illumination intensity and color selection, allowing users to optimize visibility and readability under different lighting conditions.
- **Robust IP68 Protection:** Engineered to withstand the harsh marine environment, ensuring complete protection of the panel and buzzer against dust and powerful jets of water.
- **Easy Installation (Retrofit):** Offering easy retrofit installation, ensuring seamless compatibility with your existing marine control setup. Upgrade with ease and no disruptions.
- **Self-Diagnostic Peace of Mind:** Featuring self-diagnostic capabilities, conducting automatic checks during startup and continuous monitoring of critical functions.
- **Optional IoT Capabilities:** Leveraging Bluetooth technology, offering optional IoT capabilities, enabling seamless integration with other onboard systems and devices.



Electrical Data

Input Voltage	12V DC (10~14V DC)
Operating Input Current	1.5A max
Relay Voltage	14V DC Max
Switch Current	10A max
Illuminated Surface	RGB
Buzzer notification	85dB

Connector No. 1

Pin No.	Output Type	Graphics	Function
1	Main power in 12V DC		
2	Main power in negative		
3	Relay COM.	Running and anchor	12V DC in
4	Relay N.O.	Running	12V DC out
5			
6	Relay N.O.	Anchor	12V DC out
7	Relay COM.	Courtesy	12V DC in
8	Relay N.O.		12V DC out
9	Relay COM.	Accent	12V DC in
10	Relay N.O.		12V DC out
11			
12			

Connector No. 2

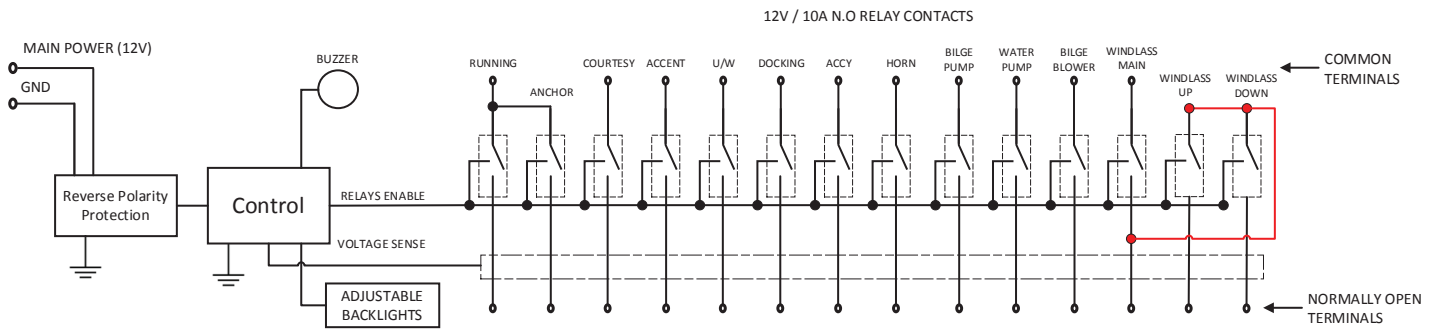
Pin No.	Output Type	Graphics	Function
1	Relay COM.	Horn	12V DC in
2	Relay N.O.		12V DC out
3	Relay COM.	Bilge pump	12V DC in
4	Relay N.O.		12V DC out
5	Relay COM.	Blower	12V DC in
6	Relay N.O.		12V DC out
7	Relay COM.	Water pump	12V DC in
8	Relay N.O.		12V DC out
9	Relay COM.	U/W lights	12V DC in
10	Relay N.O.		12V DC out
11	Relay COM.	Docking lights	12V DC in
12	Relay N.O.		12V DC out



Connector No. 3

Pin No.	Output Type	Graphics	Function
1	Relay COM.	Accessory	12V DC in
2	Relay N.O.		12V DC out
3			
4			
5			
6			
7	Relay COM.	Windlass	12V DC in
8	Relay N.O.	Out of windlass maint to feed W.up / W.down common	12V DC out
9	Relay N.O.	Windlass	12V DC in
10	Relay N.O.	Windlass down	12V DC out
11			
12			

Electrical Drawing





Mechanical Data

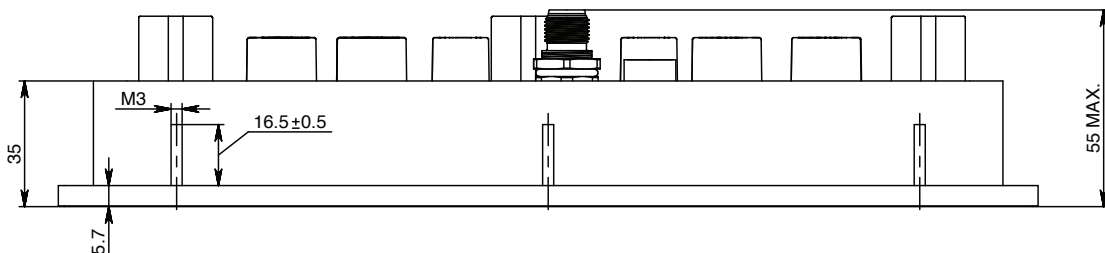
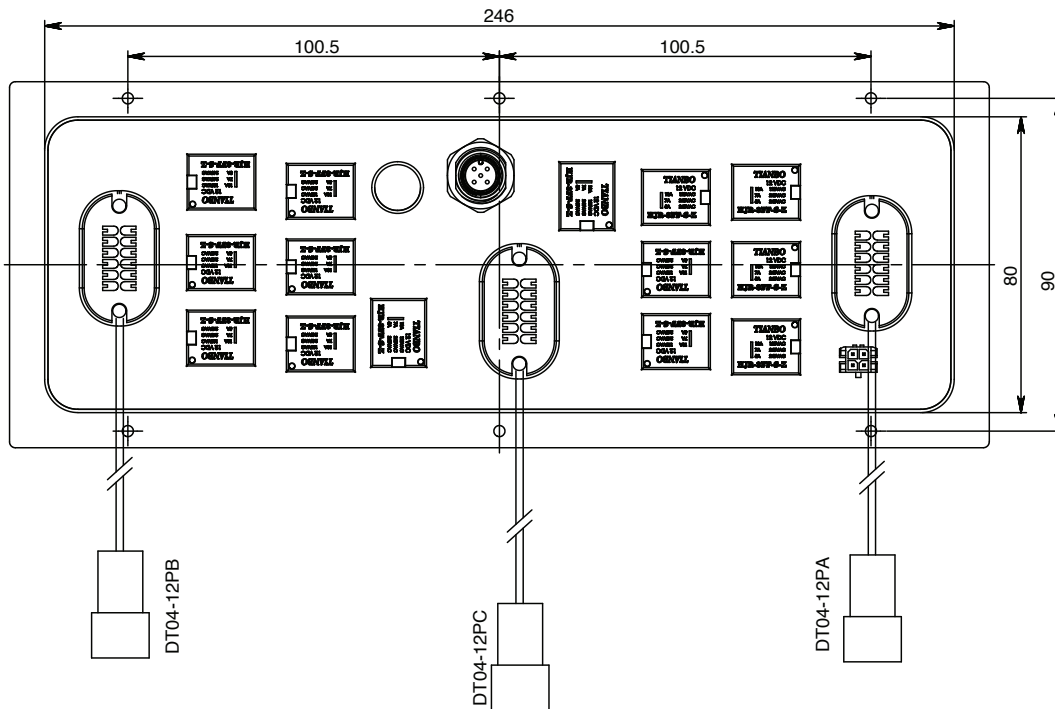
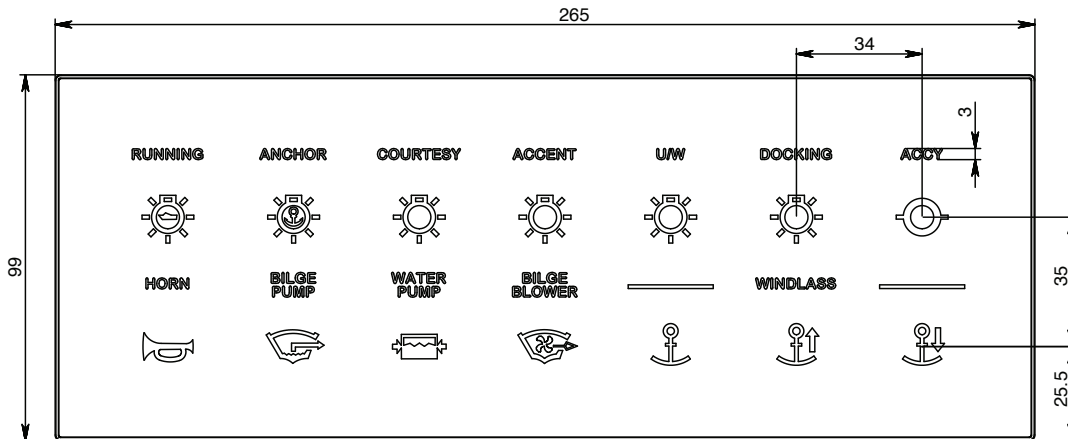
Housing Material	Aluminum 6061 T651
Front	Tempered Glass
Connection	Sealed automotive connectors: DT04-12PA Grey Connector, Black Wires 18 AWG, 300mm DT04-12PB Black Connector, Black Wires 18 AWG, 300mm DT04-6P Connector, Black Wires 18 AWG, 300mm
Actuation Force	2-7 N
NMEA 2000 Connector	M12 5 PIN - CODE A
Housing Finish	Black/Natural Anodize

Environmental Data

Operating Temperature	-20°C to +75°C
Storage Temperature	-40°C to +85°C
IP Protection	Front panel - IP68



Mechanical Drawing



*The specifications, descriptions and illustrations indicated in this document are based on current information. All content is subject to modifications and amendments. Users should evaluate the suitability and test each product selected for their own applications.