



# MarineTouch Pro6

## Aluminum Switch Panel: Mastering Marine Control

Embark on a new era of control with the MarineTouch Pro6 Aluminum Switch Panel. Our dedication to precision engineering and cutting-edge design has yielded a control panel that blends seamlessly with your vessel's technology landscape. Whether you're a captain, an engineer, or anyone who values optimal control, our switch panel ensures you stay in command, no matter the conditions.

### Key Characteristics

- **Configurable Brilliance:** Illuminate your journey with 6 dynamic ring illuminated piezo touch buttons, each with RGB ring LEDs. Immerse yourself in a spectrum of control possibilities.
- **Seamless Integration:** Unleash the power of retrofitting with ease as it seamlessly integrates into your existing setup, modernizing your control infrastructure effortlessly.
- **Effortless Precision:** Control with a simple touch. Utilizing advanced piezo touch technology, the switch panel responds whether activated by hand, glove, or tools.
- **Versatile Switching:** From momentary to toggle, prolonged to continuous, timer to programmable modes, our switch panel adapts to your unique operational needs.
- **Built to Endure:** With no moving parts, it defies the harshest marine environments, ensuring uninterrupted performance and longevity for your critical operations.
- **Your Vision, Your Design:** Personalization at its finest. Customize your control panel to match your vessel's identity. Choose optional laser engravings for a touch of exclusivity.
- **Ultimate Protection:** Embrace the elements. With an IP68 rating, our switch panel is impervious to water and dust, safeguarding your operation in all conditions.



## Electrical Data

---

Operating Voltage	12V DC
LEDs	Configurable Illumination Switch Off - Blue LED On Switch On - Red LED On
Switch Function	Standard: Toggle (On/Off) for all 6 keys Optional: Momentary, Prolonged, Continuous, Programmable, Timer

## Mechanical Data

---

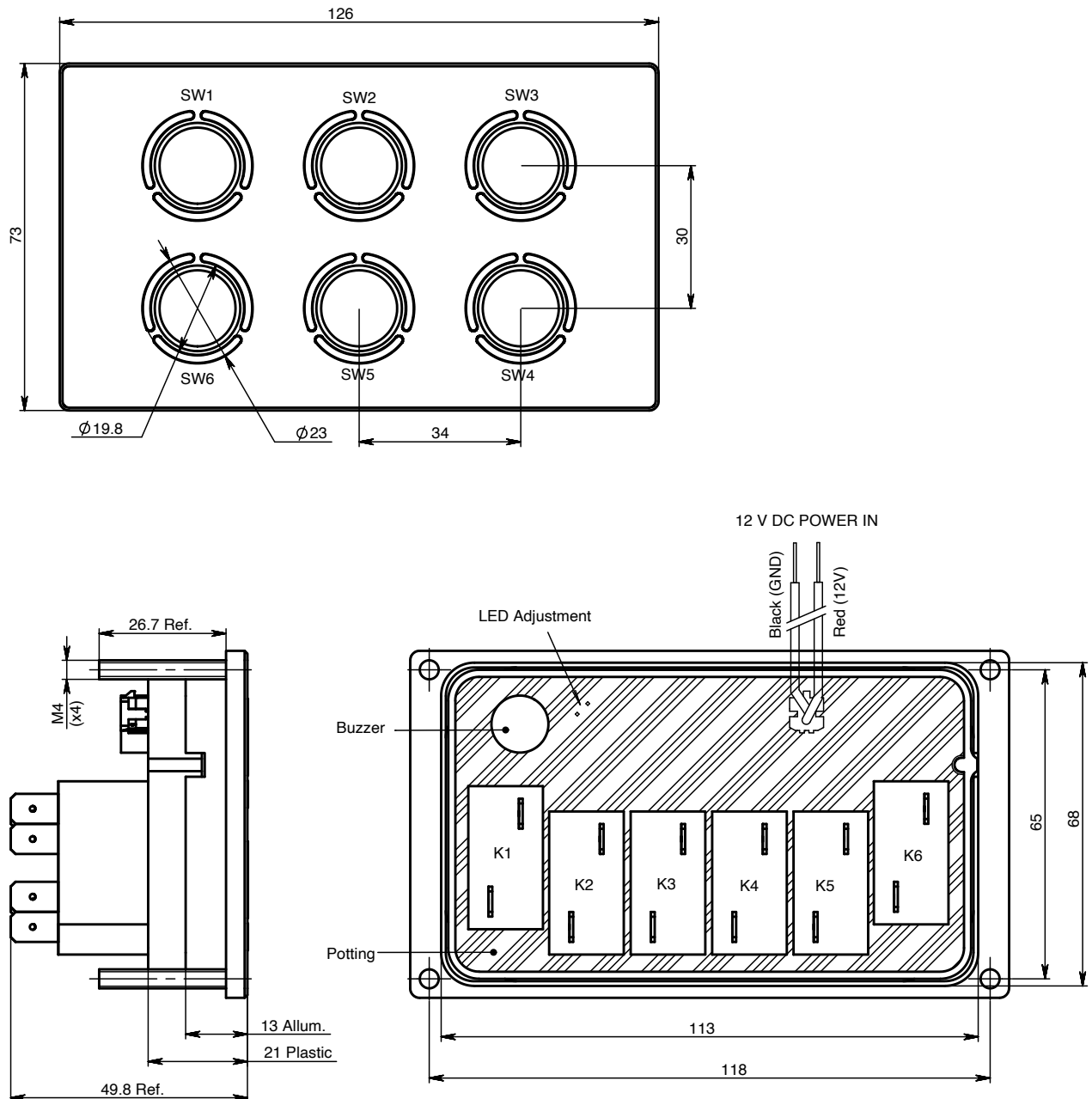
Housing Materials	Aluminum 6061 T651
Connection	2 Wires 22 AWG, Length 300mm
Actuation Force	3-5 N
Relay Dry Contact	SPST, N.O.250Vac @ 20A
Finish	Black Anodize with optional Laser Engraving

## Environmental Data

---

Operating Temperature	-20°C to +75°C
Storage Temperature	-40°C to +85°C
IP Protection	IP68

## Mechanical Drawing



\*The specifications, descriptions and illustrations indicated in this document are based on current information. All content is subject to modifications and amendments. Users should evaluate the suitability and test each product selected for their own applications.