



3 Keys & 3 Leds Silver Keypad

Sustainable Switching for Sustainable Living

Self-service bike share terminals – Barantech’s low maintenance, rugged and customizable piezo-switch keypads deliver functional reliability. Durable solutions for satisfied customers and users - The finest vending machine keypad technology for intuitive user interaction, even in remote and unattended locations.

Key Characteristics

- No moving parts – completely sealed against the environment
- Enhanced touch activated - operation by hand, gloves or tools
- Switching functions – momentary (dry contact make and break)



Mechanical Data

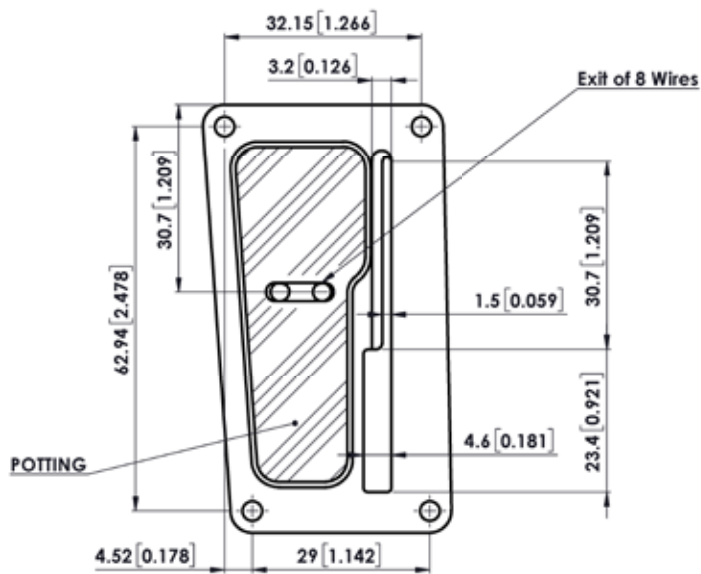
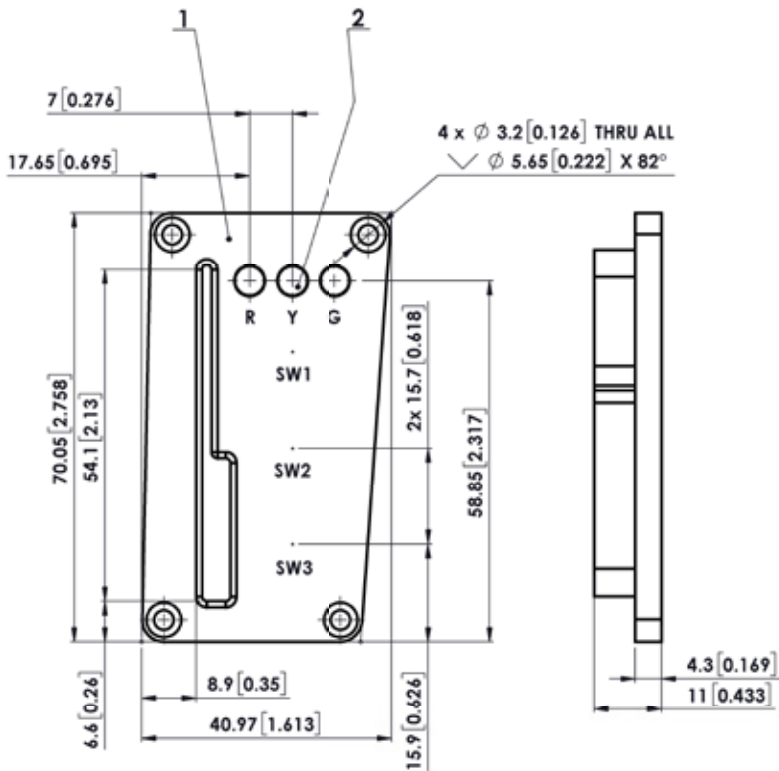
Housing Materials	Aluminum 6061 T651
Connection	8 PVC WIRES 24 AWG 190 ±10mm, UL1007 OD 1.4mm
Housing Finish	
Anodize Color	Natural
Anodize Thickness	6-10mm

Environmental Data

Operating Temperature	-40°C to +70°C
Storage Temperature	-40°C to +85°C

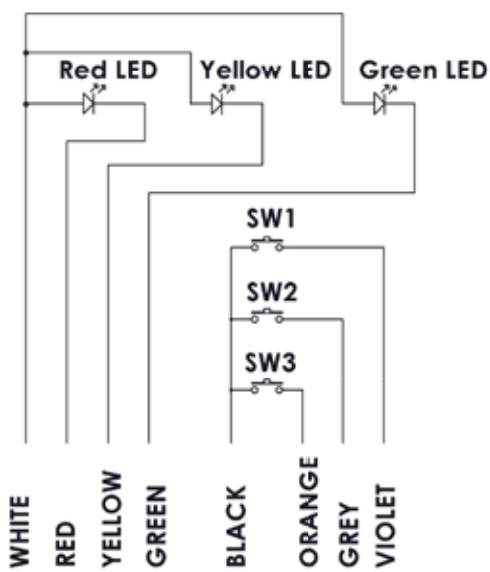


Mechanical Drawing

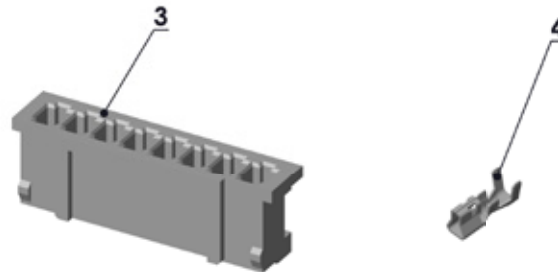




Electrical Drawing



Pin	Wire Colour	Function
1	Green	Led 3 Chathode
2	Yellow	Led 2 Chathode
3	Red	Led 1 Chathode
4	White	Leds Common Anode (VCC)
5	Violet	Button 1
6	Grey	Button 2
7	Orange	Button 3
8	Black	Button Common (GND)



Connector Type: JST PHR-8
Contact Pin: JST SPH-002T-P0.5S