

BPS Plastic Switch

Retro-illuminated, Seamless Integration

Crafted from high-quality polyoxymethylene (POM) material, our plastic retro-illuminated piezo switch combines durability with functionality. Designed for seamless integration into various applications, this switch boasts a one-piece construction and is effortlessly mounted with a nut for easy installation.

Key Characteristics

Retro-illumination: Offering one of its standout features is its retro-illumination capability, offering a variety of colors including RGB options. Whether in low-light conditions or complete darkness, the illuminated display ensures clear visibility and user-friendly operation.

Reliability Above All: No moving parts. Built to withstand harsh environments, this piezo switch is completely submersible, making it ideal for marine and outdoor use. Its proven reliability guarantees consistent performance even in challenging conditions.

Unparalleled Durability: With a focus on strength, hardness, and rigidity, this switch delivers unparalleled durability and longevity. Whether used in industrial machinery, outdoor equipment, pool & spa, or marine vessels, it stands up to the rigors of daily use with ease.

Enhanced Touch Activated: Operation by hand, gloves or tools.



Mechanical Data

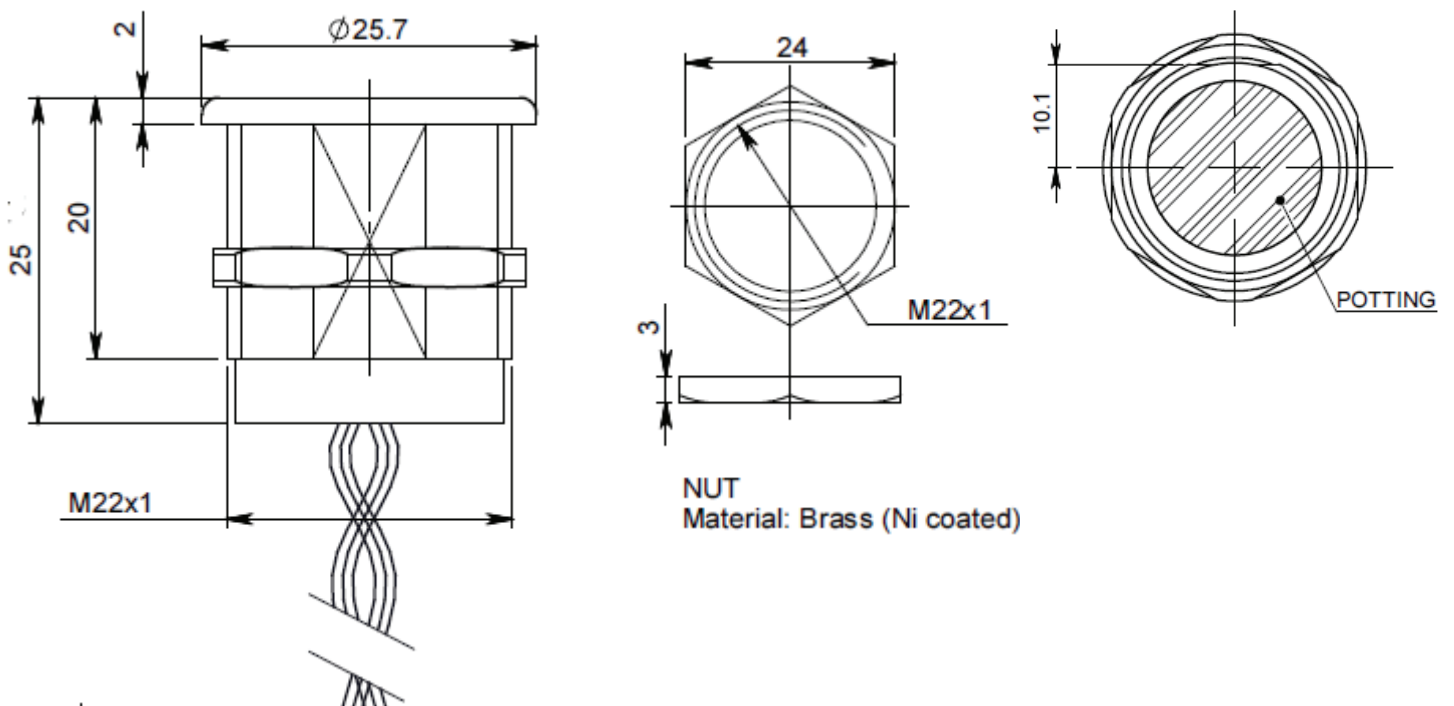
Housing Materials

White Plastic (POM)

Connection

PVC cable, 6 WIRES 26 AWG 300 ±10mm

Mechanical Drawing

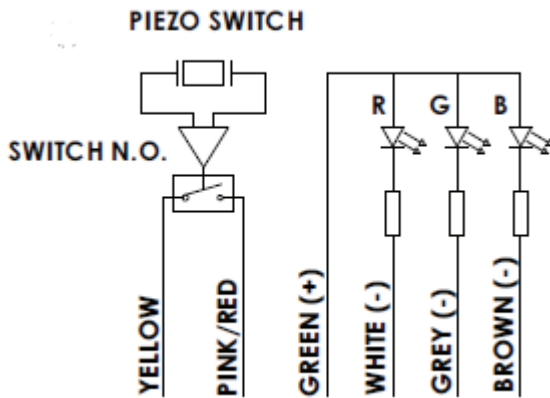




Electrical Data

Operating Voltage	1-24V AC/DC
Operation Input Current	0.2 A
Make Impulse Time	130-280 mSec
Led Operating Voltage	24V DC max
LEDs max current consumption at 24V	Red LED - 18mA Green LED - 9mA Blue LED - 16mA
Switch Function	Momentary

Electrical Drawing



Environmental Data

Operating Temperature	-20°C to +70°C
Storage Temperature	-40°C to +85°C

*The specifications, descriptions and illustrations indicated in this document are based on current information. All content is subject to modifications and amendments. Users should evaluate the suitability and test each product selected for their own applications.