



Boat Guard 20A Relay

An End to Boat Switch Problems

Barantech's Boat Guard 20A Relay: the answer to boat switch problems. This piezo touch switch retrofits 22mm pushbutton switches with ease, featuring interchangeable relay modules for maximum flexibility.

Key Characteristics

- **Unmatched Durability:** Stainless steel or anodized aluminum housing options for an ultra-rugged design.
- **Effortless Installation:** Snap-on relay module for quick setup.
- **Vivid Illumination:** Tri-color RGB ring illumination for captivating visual appearance.
- **Reliable and Sealed:** No moving parts, completely sealed against the elements.
- **Enhanced Touch Activation:** Operate by hand, gloves or tools with touch-activated functionality.
- **Built for the Elements:** Unaffected by water, salt accumulation, UV rays, ice, humidity, extreme temperatures as well as shocks and vibrations.

Electrical Data

Switch Function	ON/OFF
Operating Voltage	12V DC, 0.2A
Relay Rated Voltage	12V AC/DC
Relay Rated Current	20A max

Mechanical Data

Housing Materials	Stainless Steel or Aluminum 6061 T651 (Natural Anodize)
Relay Box Material	Polycarbonate
Switch Plastic Parts	PA66, Black Color
Actuation Force	3-7 N
A,B Connection	Quick Connect Terminal
Connection	22 AWG Wires, Length 300+_20mm

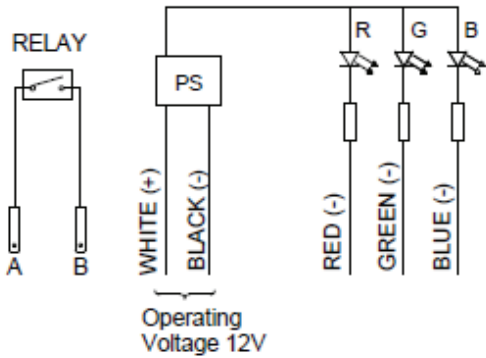
Environmental Data

Operating Temperature	-15°C to +55°C
Storage Temperature	-40°C to +75°C
Random Vibration	MIL-STD-810G: 08 Method:514.6, Watercraft Category: 21, Marine Vehicles
IP Rating	IP67

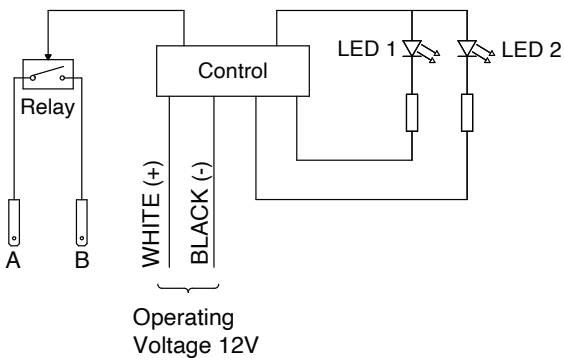


Electrical Connection

Manual RGB illumination:



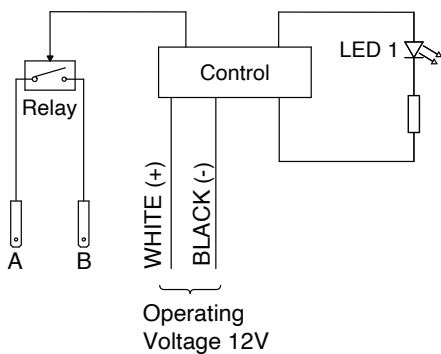
Auto internal control - two colors illumination:



Color Options

LED 2 - *OFF* State	LED 1 - *ON* State
R	G
	B
G	R
	B
B	R
	G

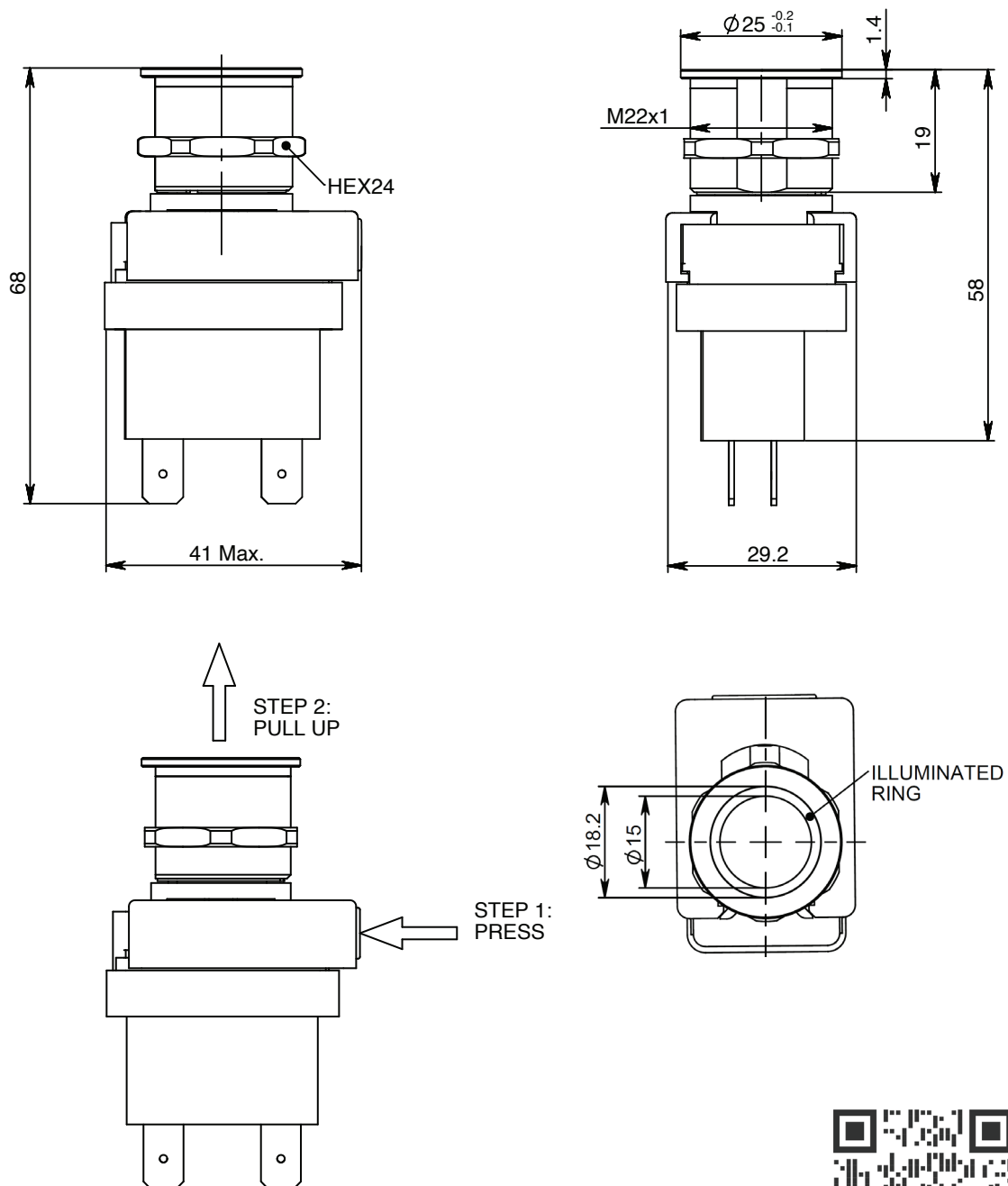
Auto internal control - one color illumination:



Color Options

LED 2 - *OFF* State	LED 1 - *ON* State
None	R
	G
	B

Mechanical Drawing



*The specifications, descriptions and illustrations indicated in this document are based on current information. All content is subject to modifications and amendments. Users should evaluate the suitability and test each product selected for their own applications.