



Solo

Luxurious Glass Look, Completely Sealed

Introducing Solo, our luxurious glass switch. With a sleek glass look and completely sealed design, Solo features a front glass switch and stainless steel housing. It blends striking piezo touch technology with elegant aesthetics, making it perfect for withstanding the harsh marine environment.

Key Characteristics

- Luxurious glass look, round or square shape
- Front glass, stainless steel housing
- Front tri-color RGB
- Enhanced touch activated - operation by hand, gloves or tools
- No moving parts, weatherproof - operation unaffected by water, ice, humidity, etc.



Electrical Data

Switch Function	N.O. Momentary (N.Closed optional)
Make Impulse Time	130-280 mSec.
Output Switching Voltage	0-24V AC/DC
Switching Current	1A max.
Switch Resistance "ON"	<20 Ω
Switch Resistance "OFF"	>5 Ω
LED Operating Voltage	12V DC

Mechanical Data

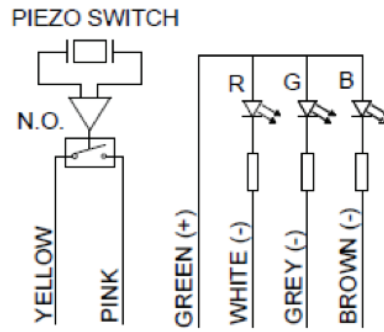
Housing Material	Stainless steel 316
Actuating Force	2-6 N
Connection	Cable 6x0.14, Length 300 \pm 10mm

Environmental Data

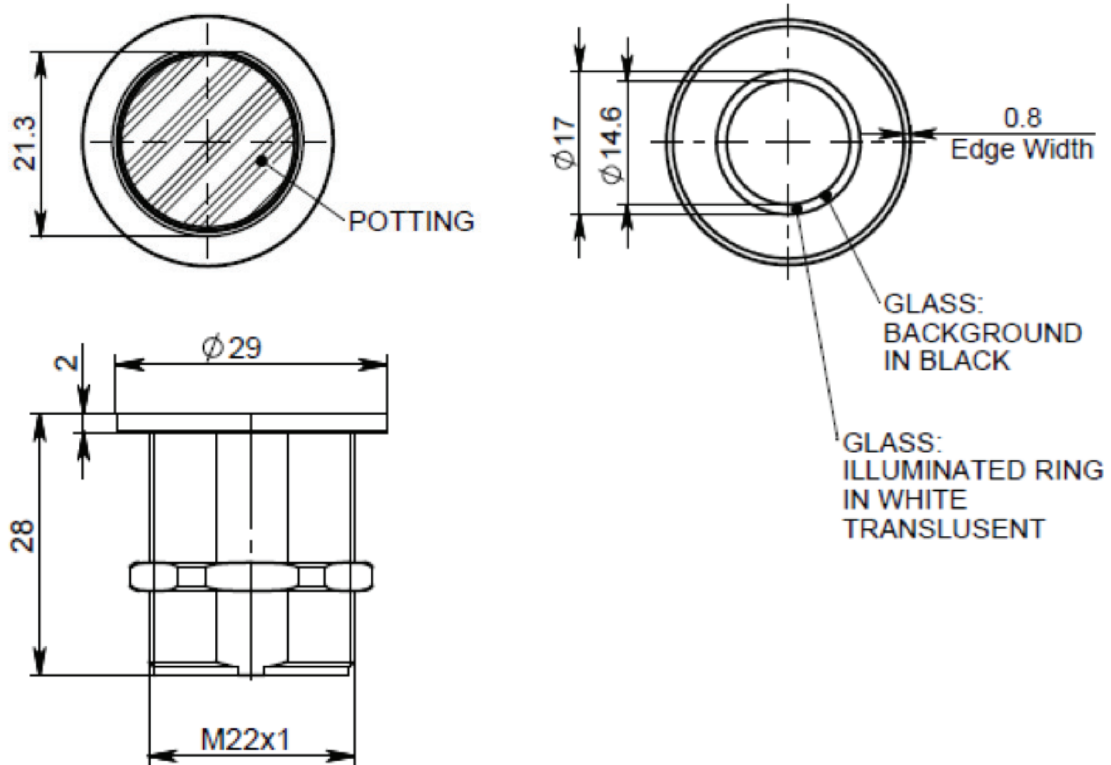
Operating Temperature	-15°C to +55°C
Storage Temperature	-40°C to +75°C
IP Rating	IP67



Electrical Connection

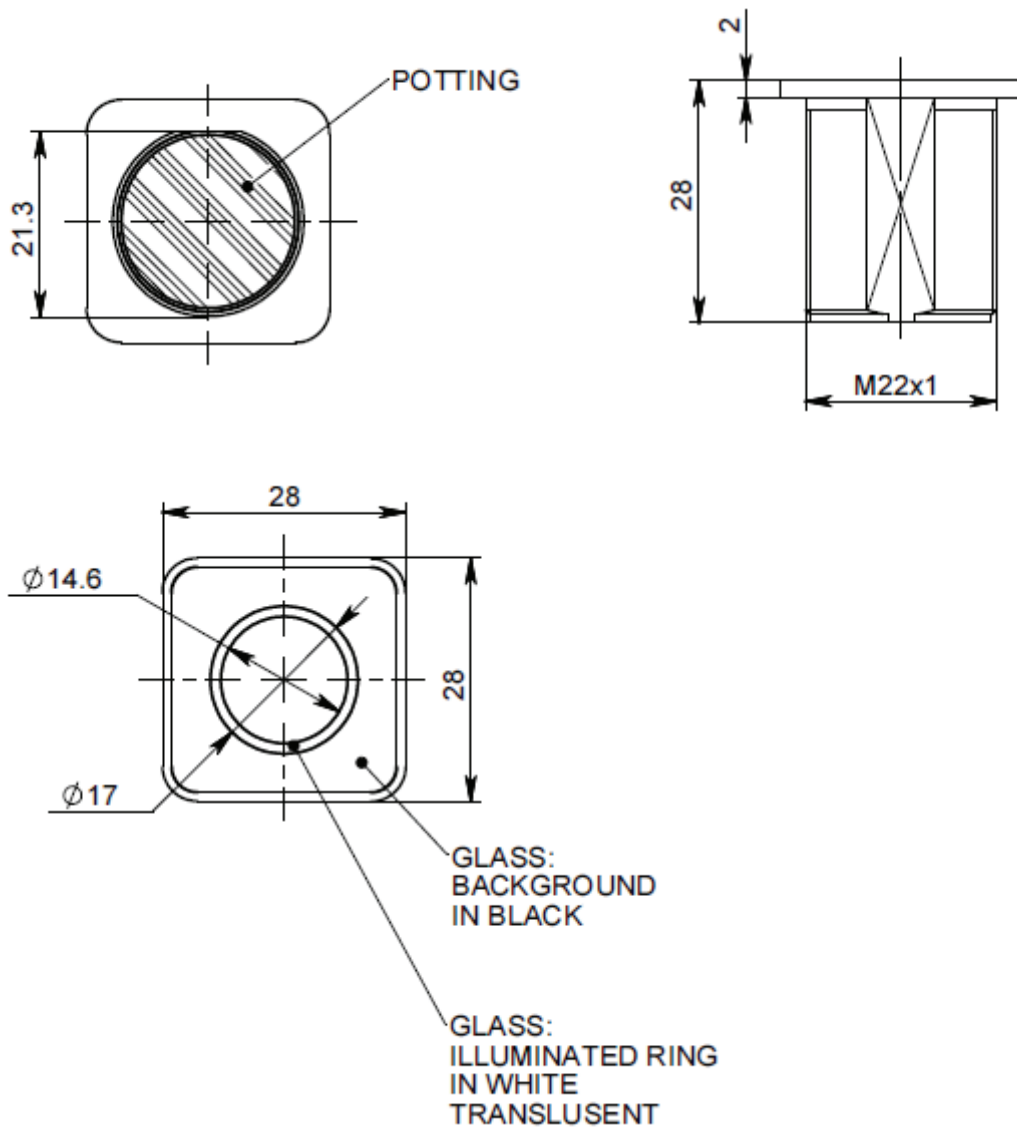


Mechanical Drawing - Round Switch





Mechanical Drawing - Square Switch



*The specifications, descriptions and illustrations indicated in this document are based on current information. All content is subject to modifications and amendments. Users should evaluate the suitability and test each product selected for their own applications.